

Full lift safety valve with spring loading.(AIT)

Model 485



ASME
SI Units

The valve works as an automatic pressure releasing regulator activated by the static pressure existing at the entrance to the valve and is characterized by its ability to open instantly and totally.

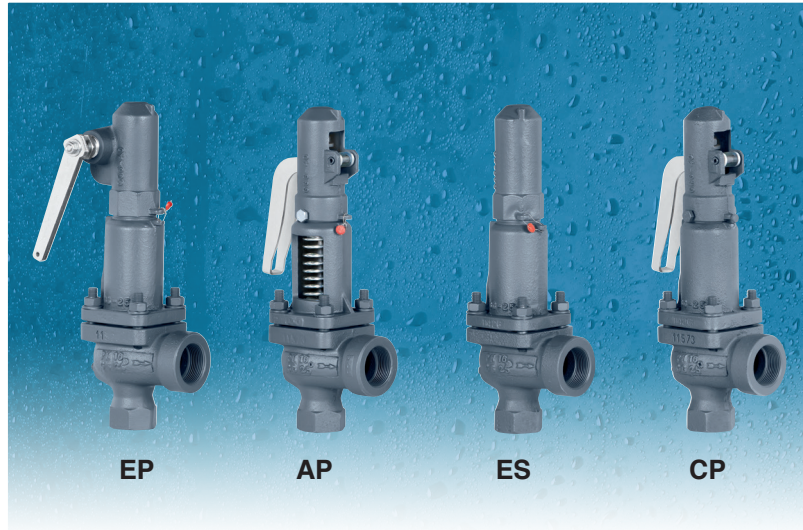
Design in accordance with "ASME code section VIII". Materials according ASME code section II and ASTM.

Connections according ASME B1.20.1 standard. In accordance with the requirements of the pressure equipment directive 2014/68/EU.

EC valve verification certified by: TÜV Rheinland Industrie Service GmbH, Notified Body for Pressure Equipment ID-No. 0035

Type (Module B) EC n° DEP-B-prod.001072-22 certified by: TÜV Rheinland Ibérica ICT, S.A.

In compliance with the ATEX 2014/34/EU directive "Protective equipment and systems for use in potentially explosive atmospheres". Other authorisations: ISCIR, ITI, NASTHOL, EAC,...etc.



Specifications

- 90° angular flow.
- Activated by direct action helicoid spring.
- Simplicity of construction ensuring minimum maintenance.
- Materials carefully selected for their resistance to corrosion. With the exception of washers and couplings, the valves are free of non-ferric materials.
- Internal body designed to offer favourable flow profile.
- Sealing surfaces treated and balanced, making them extremely tightness, even exceeding API-527 requirements.
- Great discharge capacity. For liquids typically used with openings similar to proportional safety valves.
- Equipped with draining screws for removing condensation.
- Auto-centering plug.
- Threaded shaft with lever positioner facilitating immediate manual action.
- Elevator, independent of the seal, designed facilitate sudden opening when the steam expands and, with any fluid, guarantees absolute opening and closing precision.
- All the valves are supplied sealed at the set pressure requested, simulating operational conditions, and are vigorously tested.
- All components are numbered, registered and checked. If requested in advance, material, casting, test and efficiency certificates will be enclosed with the valve, and the instruction manual, in accordance with P.E.D. 2014/68/EU.

IMPORTANT

Depending on demand:

- 1.- Blocking screw which facilitates hydrostatic testing of the container which to be protected.
- 2.- Rapid limiter to reduce the coefficient of discharge.
- 3.- Fluorelastomer (Viton) seals, Silicone's rubber, PTFE (Teflon)... etc., achieving leakage levels less than:

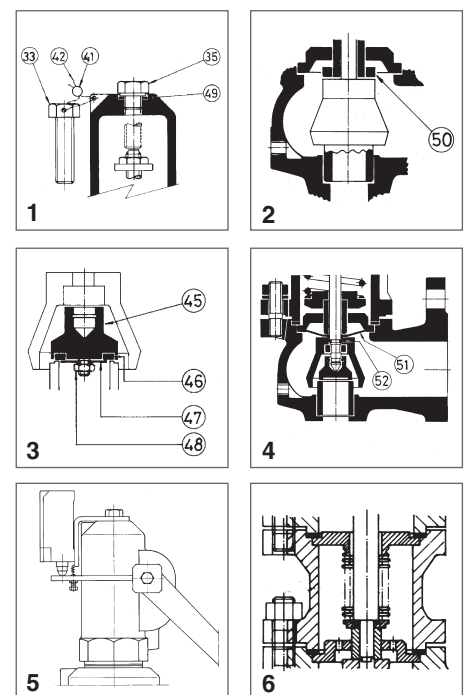
$$0,3 \times 10^{-3} \frac{\text{Pa cm}^3}{\text{seg.}}$$

The ranges of application allow certain flexibility although we recommend limiting them to:

RANGE OF APPLICATION FOR THE SEALS							
FLUID	SET PRESSURE [bar]						
	0,2	1,8	4,0	4,8	7,0	30	40,0
Saturated steam	S	V			T		
Liquids and gases		S		V			T
SEALS	TEMPERATURE [°C]						
		ACCORDING TO MANUFACTURERS		RECOMMENDED BY VYC			
		MINIMUM	MAXIMUM	MINIMUM	MAXIMUM		
Silicone's rubber	S	-60	+200	-50	+115		
Fluorelastomer (Vitón)	V	-40	+250	-30	+150		
PTFE (Teflón)	T	-265	+260	-80	+230 (1)		

(1) For temperatures exceeding 230 °C apply metallic seal only.

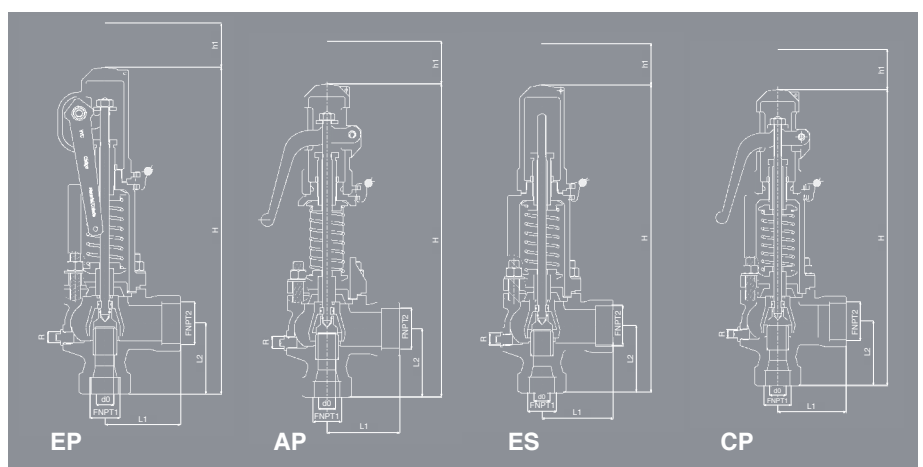
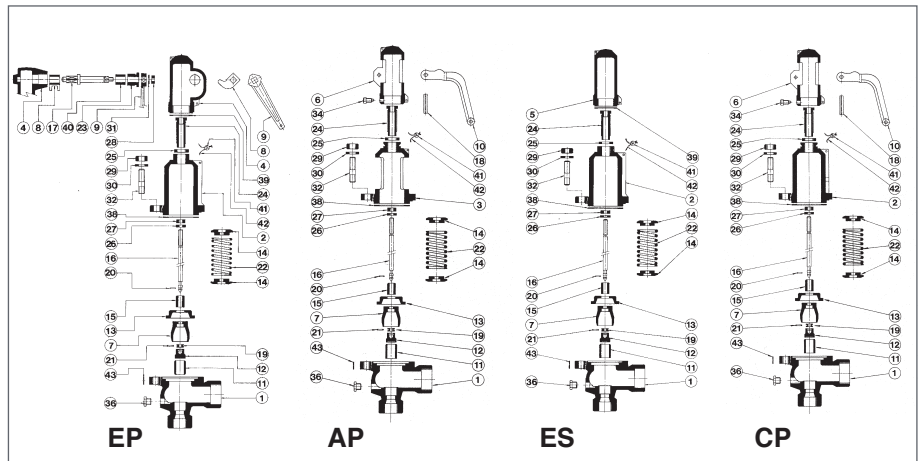
- 4.- Fluorelastomer (Vitón) membrane and O-ring isolating the rotating or sliding parts from the working fluid.
- 5.- Electrical contact indicating open/closed.
- 6.- Balance bellows to:
 - Protect the spring from atmospheric influences.
 - Ensure outside of valve body is totally tightness.
 - Level out external or self-generated back pressure.
- 7.- Possibility of manufacture in other types of material, for special operating conditions (high temperatures, fluids, etc.).
- 8.- Totally free of oil and grease, to work with oxygen, avoiding possible fire risks (UV-Oxygen-VBG 62).
- 9.- Special springs for critical temperatures.



N°. PIECE	PIECE	MATERIAL											
		CAST STEEL						STAINLESS STEEL					
1	Body	Cast steel (ASTM A216 - WCB)						Stainless steel (ASTM A 351 - CF8M)					
2	Closed bell	Nodular iron (ASTM A536 65 - 45 -12)						Stainless steel (ASTM A 351 - CF8M)					
3	Open bell	Cast steel (ASTM A 216 - WCB)						Stainless steel (ASTM A 351 - CF8M)					
4, 5, 6	Hood	Nodular iron (ASTM A 536 65 - 45 -12)						Stainless steel (ASTM A 351 - CF8M)					
7	Elevator	Nodular iron (ASTM A 536 65 - 45 -12) (1)						Stainless steel (ASTM A 351 - CF8M)					
8	Cam	Carbon steel (ASTM A 570 - 36) (3)						Stainless steel (AISI 304)					
9, 10	Lever	Carbon steel (ASTM A 570 - 36)						Carbon steel (ASTM A 570 - 36)					
11	Seating	Stainless steel (AISI 420)						Stainless steel (AISI 630)					
12	Plug	Stainless steel (AISI 420)						Stainless steel (AISI 630)					
13	Lead	Stainless steel (AISI 420)						Stainless steel (AISI 316)					
14	Spring press	Carbon steel (AISI 1045)						Stainless steel (AISI 303)					
15	Separator	Stainless steel (AISI 420)						Stainless steel (AISI 316)					
16	Rod	Stainless steel (AISI 420)						Stainless steel (AISI 316)					
17	Lever shaft	Carbon steel (AISI 1045)						Stainless steel (AISI 303)					
18	Gudgeon	Carbon steel (AISI 1070)						Stainless steel (AISI 301)					
19	Ring	Stainless steel (AISI 420)						Stainless steel (AISI 316)					
20, 21	Safety ring	Stainless steel (AISI 301)						Stainless steel (AISI 301)					
22	Spring	Vanadium chrome steel (AISI 6150 (2))						Stainless steel (AISI 301)					
23	Gland	Carbon steel (AISI 1045)						Stainless steel (AISI 303)					
24	Hollow screw	Stainless steel (AISI 303)						Stainless steel (AISI 303)					
25	Hollow screw nut	Stainless steel (AISI 303)						Stainless steel (AISI 303)					
26	Buffer nut	Stainless steel (AISI 303)						Stainless steel (AISI 303)					
27	Rod check nut	Carbon steel (AISI 1015)						Stainless steel (AISI 316)					
28, 29, 48	Nut	Carbon steel (AISI 1015)						Stainless steel (AISI 316)					
30, 31	Washer	Carbon steel (AISI 1015)						Stainless steel (AISI 316)					
32	Stud	Carbon steel (AISI 1035)						Stainless steel (AISI 316)					
33, 34, 35	Screw	Carbon steel (AISI 1045)						Stainless steel (AISI 316)					
36	Cap	Carbon steel (AISI 1035)						Stainless steel (AISI 316)					
38	Coupling	Graphite						PTFE (Teflon)					
39	Coupling	PTFE (Teflon)						PTFE (Teflon)					
40	Seal	Graphite						PTFE (Teflon)					
41	Seal	Plastic						Plastic					
42	Sealing wire	Sealing wire						Sealing wire					
43	Characteristic plate	Stainless steel (AISI 304)						Stainless steel (AISI 304)					
45	Plug	Stainless steel (AISI 316)						Stainless steel (AISI 316)					
46	Sealing disk	PTFE (Teflon)						PTFE (Teflon)					
		Silicone's rubber						Silicone's rubber					
		Fluorelastomer (Viton)						Fluorelastomer (Viton)					
47	Washer	Stainless steel (AISI 316)						Stainless steel (AISI 316)					
49	Coupling	Copper						PTFE (Teflon)					
50	Limiter	Stainless steel (AISI 420)						Stainless steel (AISI 316)					
51	Membrane	Fluorelastomer (Viton)						Fluorelastomer (Viton)					
52	O-ring	Fluorelastomer (Viton)						Fluorelastomer (Viton)					
FNPT1 x FNPT2		3/4" x 1 1/4" to 1" x 1 1/2"											
Class		300 lbs						300 lbs					
OPERATING CONDITIONS	PRESSURE IN bar	40,00	40,00	40,00	39,80	37,60	34,70	23,00	40,00	35,70	31,60	29,40	
	MAX. TEMP. [°C]	120	200	250	300	350	400	426	120	200	300	400	
	MIN. TEMP. [°C]												

(1) 3/4" FNPTx 1 1/4" FNPT in stainless steel (ASTM A351 CF8M)
(2) Maximum temperature EP, ES and CP 250 °C / AP 400 °C
(3) 3/4" FNPT x 1 1/4" FNPT in Stainless steel (AISI 304)

FNPT ₁ X FNPT ₂		3/4" x 1 1/4"				1" x 1 1/2"			
CONNECTIONS		Female thread NPT ASME B1.20.1							
API Orifice Letter		D-E				F			
do		16				20			
Ao		201				314			
H		320				370			
h ¹		112				129			
L ₁		80				85			
L ₂		65				80			
R		1/4"				1/4"			
		Whitworth cylindrical female thread ISO 228/1 (DIN-259)							
MODEL		EP	AP	ES	CP	EP	AP	ES	CP
WEIGHT [kg]	CAST STEEL	5,65	5,01	5,22	5,42	7,50	6,70	6,97	7,17
	STAINLESS STEEL								
CODE	CAST STEEL	8344 D	83441 D	83442 D	83443 D	8104 F	81041 F	81042 F	81043 F
	STAINLESS STEEL	8342 D	83421 D	83422 D	83423 D	8102 F	81021 F	81022 F	81023 F



Recommended ranges of application. Open and closed pressures in % of set pressure. Set pressures and regulating ranges. Coefficient of discharge. Discharge capacity.

See brochure Model 486 in International System Units (SI).
Model 485 FNPT 3/4"x1 1/4"= Model 486 NPS-1"x2"do = 16
Model 485 FNPT 1"x1 1/2"= Model 486 NPS-1 1/2"x2"do = 20