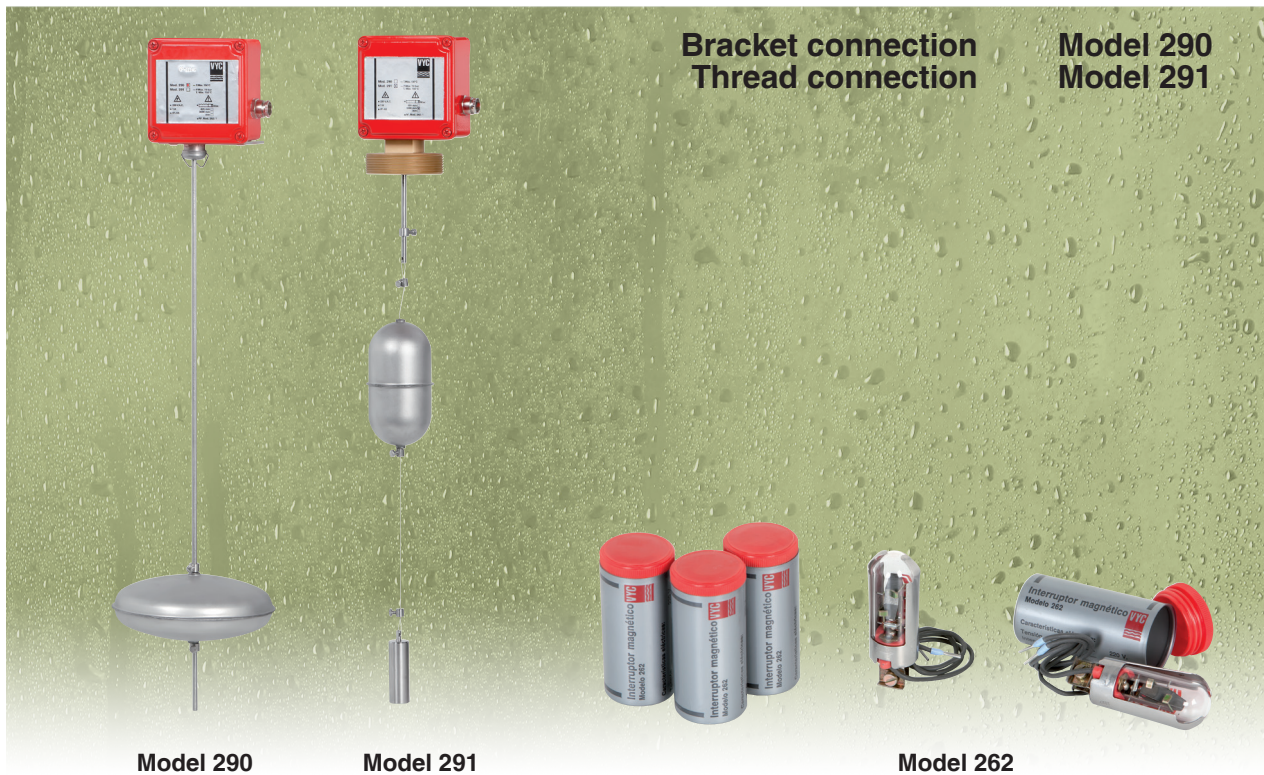


Sliding buoy type automatic level controller



EN ASME/MNPT



This device guarantees automatic, safe and reliable control, regulation and signalling of the level of liquids in; wells, tanks, cisterns, etc. In accordance with the requirements of the pressure equipment directive 2014/68/EU.

Specifications

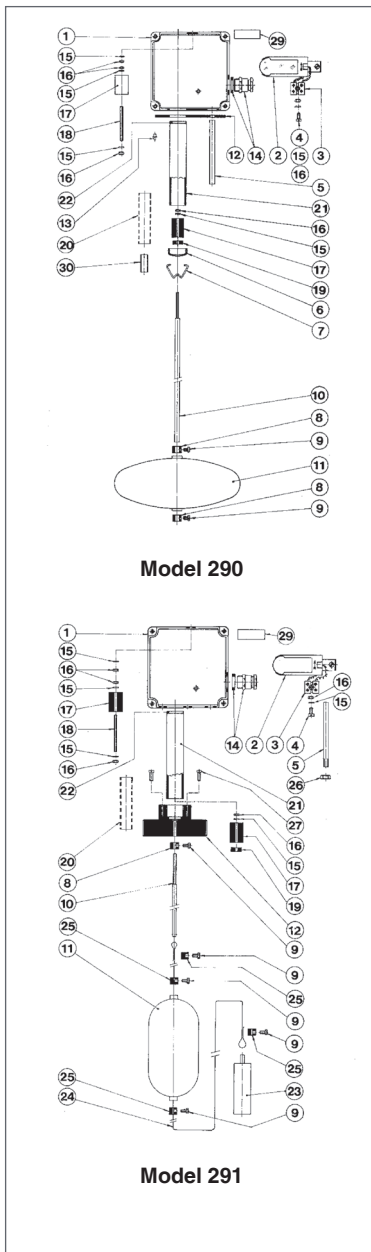
- Materials carefully selected for their resistance to wear and tear, temperature and corrosion.
- Simplicity of construction ensuring minimum maintenance.
- The area of connectors, terminals, magnetic switches, etc., housed in a box made of isolating temperature resistant material which prevents the entry of dust or dirt, etc. IP-65 protection.
- The components of the magnetic switch are rigorously selected to guarantee long life and total operating safety.
- Silver alloy breakers.
- Easy to connect.
- Adjustment of operating points using end stops.
- All of the equipment and the switches have been thoroughly tried and tested.
- Each of the components is numbered, registered and checked. If prior request is made a certificates of materials, batch and will be supplied.

IMPORTANT

If this equipment is connected to vessels with turbulent fluids they must be supplied with the corresponding breakwater.

Depending on demand:

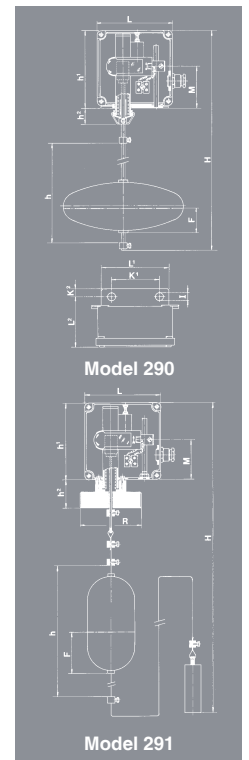
- Possibility of manufacture in other types of material, for use in special working conditions (high temperatures, fluids, etc.).
- Other connections and fluctuation length.
- Stainless steel buoy (EN-1.4401) with coating of Epoxy, PTFE (Teflón), Chemical nickel, etc.
- Other sizes of buoy.



N° PIECE	PIECE	MATERIAL					
		MODEL 290		MODEL 291			
1	Box	Aluminium (ASTM B 85 y B 179)		Aluminium (ASTM B 85 y B 179)			
2	Magnetic switch	Model 262		Model 262			
3	Block	Bakelite		Bakelite			
4	Block screw	S. steel (EN-1.4401)		S. steel (EN-1.4401)			
5	Switch fastening axis	S. steel (EN-1.4301)		S. steel (EN-1.4301)			
6	Cap end stop	S. steel (EN-1.4301)		-			
7	Cap securing clip	S. steel (EN-1.4310)		-			
8,25	Buffer	S. steel (EN-1.4401)		S. steel (EN-1.4401)			
9,27	Stop-screw	S. steel (EN-1.4401)		S. steel (EN-1.4401)			
10	Guide road	S. steel (EN-1.4401)		S. steel (EN-1.4401)			
11	Buoy (1)	S. steel (EN-1.4401)		S. steel (EN-1.4401)			
12	Bracket	S. steel (EN-1.4301)		Brass (EN-CW617N)			
13	Rivets	Aluminium (AlMg5)		Aluminium (AlMg5)			
14	Gland	Brass (EN-CW617N)		Brass (EN-CW617N)			
15	Washer	S. steel (EN-1.4401)		S. steel (EN-1.4401)			
16,26	Nut	S. steel (EN-1.4401)		S. steel (EN-1.4401)			
17	Magnet	Alnico - 500		Alnico - 500			
18	Dowel	S. steel (EN-1.4301)		S. steel (EN-1.4301)			
19	Spacer	S. steel (EN-1.4305)		S. steel (EN-1.4305)			
20	Spring	S. steel (EN-1.4310)		S. steel (EN-1.4310)			
21,30	Case	S. steel (EN-1.4301)		S. steel (EN-1.4301)			
22	Case cover	S. steel (EN-1.4301)		S. steel (EN-1.4301)			
23	Weight	-		S. steel (EN-1.4401)			
24	Guide wire	-		S. steel (EN-1.4310)			
29	Characteristic plate	Aluminium		Aluminium			
	DN	Bracket with 2 screws M.8x...		2 1/2"			
	PN	-		PMS . 19 bar			
OPERATING CONDITIONS	PRESSION IN bar (2)	-		19,0	17,1	14,8	13,3
	MAX. TEMP. IN °C (2)	150		20	50	100	150
	MIN. TEMP. IN °C	0		-60 (3)			
	MAX.VISCOSITY IN Cps	500		280			

(1) See brochure for Model 152 Ø150x60 and Ø60x120 slidings.
 (2) For higher pressures and temperatures see our technical department.
 (3) As long as the equipment is free of humidity.

MODEL	290	291
R	—	2 1/2"
CONNECTION	2 screws M.8x...	Whitworth gas-tight male thread cylindrical ISO 228/1 (DIN-259) NPT thread male ASME B1.20.1
H	STANDARD	630
	MAXIMUM	—
h (LEVEL FLUCTUATION)	STANDARD	495
	MAXIMUM	—
h ¹	98,5	95,5
h ²	20	35
M (MAXIMUM)	52	49
MAX. N° OF SWITCHES	1	1
BUOY	Ø 150 x 60	Ø 60 x 120
F (FLOATING LEVEL IN WATER)	28	54
L	95,5	95,5
L ¹	85	—
L ²	65	—
K ¹	59	—
K ²	10	—
I	9	—
DRILLS N°.	2	—
WEIGHT IN kgs.	1,08	1,65
CODE	2104-290.0002	GAS 2104-291.5222 NPT 2104-291.52221



Magnetic switch

Model 262

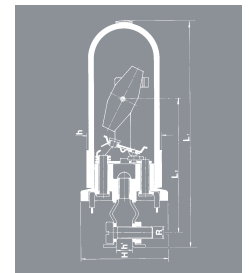
Specifications

Electrical characteristics: — Voltage: 220 V.A.C.
 — Current: 1 A.

Magnetic characteristics: — Material: ALNICO - 1500.
 — Residual induction (Br): 8500 / 8600 G.
 — Coercive force (Hc): 1400 / 1500 Oe.
 — Energy index (B-H) maximum: 4,2.



MODEL	262
R	M.4
	Metric male thread ISO (DIN-13)
H	27
h	23
h ¹	5
L ₁	70
L ₂	43
WEIGHT IN kgs.	0,041
CODE	2104 - 262.0000



VYC industrial, sau
 Founded in 1914

www.vycindustrial.com
 Avenc del Daví, 22 Pol. Ind. Can Petit 08227 TERRASSA (Barcelona) SPAIN
 ☎ +34 93 735 76 90 ✉ 119 @ info@vycindustrial.com

Informative brochure, without obligation and subject to our General Sales Conditions.