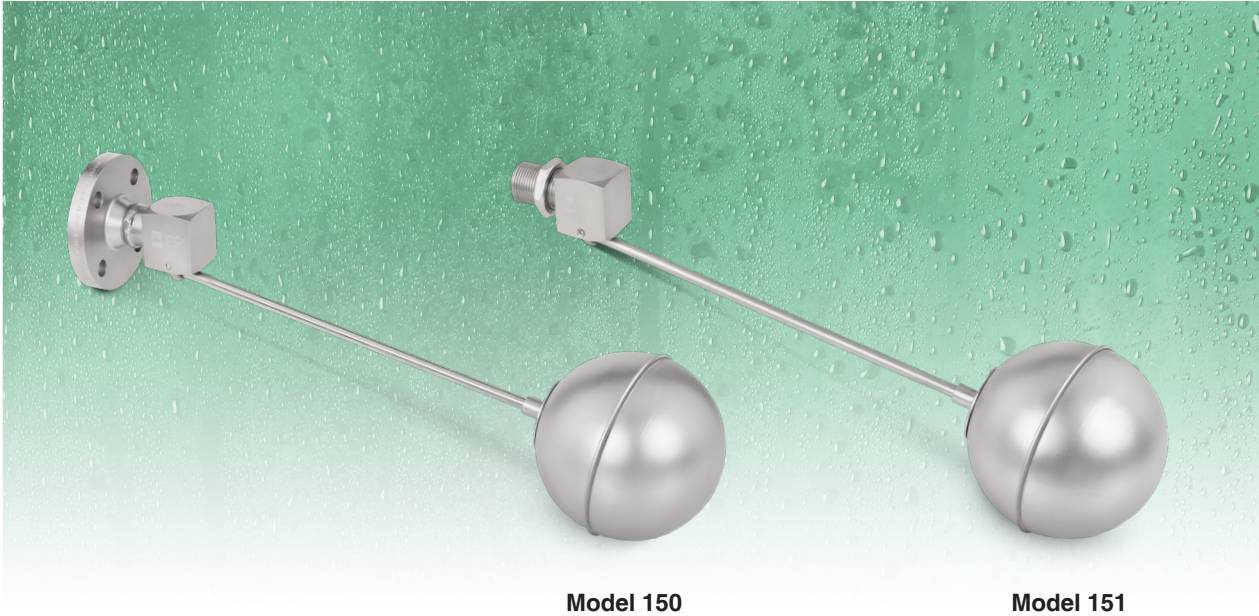


Float valve

Flange connection Model 150
Thread connections Model 151



Model 150

Model 151

To control the level of liquids in tanks, deposits, etc..

Specifications

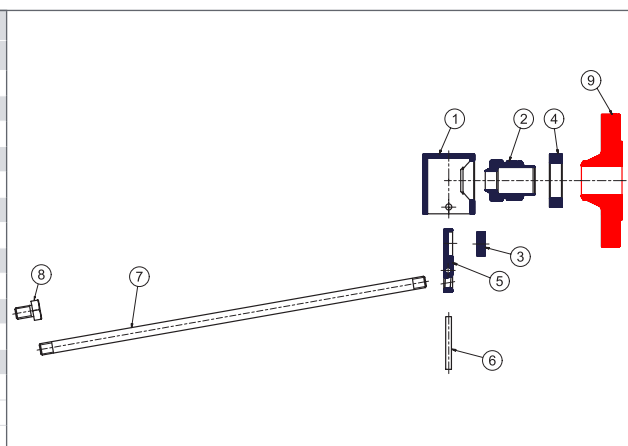
- Simplicity of construction ensuring minimum maintenance.
- Guarantees absolute opening and closing precision.
- Materials carefully selected for their resistance to corrosion.
- Fully constructed from laminated bars.
- All valves undergo thorough testing.
- Each component is numbered, registered and inspected. If previously requested, the valve will be accompanied by certificates corresponding to materials, batch, tests and performance.

IMPORTANT

Depending on demand:

- Fluorelastomer closure (Viton), etc.
- Buoy with coating of Epoxy, PTFE (Teflón), Chemical nickel, Shining smooth, etc.
- Entirely Stainless steel (EN-1.4571).
- Entirely Stainless steel (EN-1.4301), etc.

N°. PIECE	PIECE	MATERIAL		
		STAINLESS STEEL		
1	Body	Stainless steel (EN-1.4401)		
2	Coupling	Stainless steel (EN-1.4401)		
3	Closure	Silicone's rubber		
4	Nut	Stainless steel (EN-1.4401)		
5	Lever	Stainless steel (EN-1.4408)		
6	Pin	Stainless steel (EN-1.4401)		
7	Stem	Stainless steel (EN-1.4401)		
8	Connector	Stainless steel (EN-1.4401)		
9	Flange	Stainless steel (EN-1.4401)		
	R	3/8" to 2 1/2"		
	MNPT	3/8" to 2 1/2"		
	DN	15 to 65		
OPERATING CONDITIONS	PRESSURE IN bar	16	15	14
	MAXIMUM TEMP. IN °C	120	180	200
	MINIMUM TEMP. IN °C		-60	



Closure pressure

The closure pressure of the valve will vary with relation to the specific weight of the liquid being controlled according to the following formula:

$$P = \frac{p}{p_a} Pa$$

P = Closure pressure liquid.
p = Specific weight liquid.

Pa = Closure pressure water.
pa = Specific weight water.

EN ASME/MNPT ASME/ANSI

DN	Flange PN-16 EN 1092-1				PRESSURE bar																																			
R	Flange class 150 lbs ASME B16.5				0,5	1	0,5	2	0,5	3	0,5	4	0,5	5	0,5	6	0,5	7	0,5	8	0,5	9	0,5	10	0,5	11	0,5	12	0,5	13	0,5	14	0,5	15	0,5	16				
MNPT	Whitworth gas-tight male thread cylindrical ISO 228/1 (DIN-259)																																							
R1	Male thread NPT ASME B1.20.1																																							
	Whitworth gas-tight male thread cylindrical ISO 228/1 (DIN-259)																																							
	D	K	I	b	REDUCED PITCH Ø		A																																	
	NUM. OF DRILL HOLES				A																																			
3/8"					6	31	BUOY	C Ø60x120	E. Ø90	E. Ø110																P.Ø150x60														
							L	396	366	386																428														
							H	215	210	225																222														
							WEIGHT IN kgs.	0,38	0,41	0,50																0,60														
							CODE 151	2008-151.3382																2008-151.3382 (+) 34005																
							FLOW l/h 20°	1058	1560	1780	2027	2270	2482	2603	2640	2794	2880	2970	3120	3250	3380	3510	3614																	
15	EN 1092-1	ASME B16.5			10	35	BUOY	C Ø60x120	E. Ø90	E. Ø110	P. Ø150x60	E. Ø150																												
	95	90					L	434	404	424	420	413																												
	65	60,3					H	252	245	260																														
	14	15,9					WEIGHT IN kgs.	0,53 / 1,31	0,56/1,34	0,64/1,42	0,90/1,68	0,84/1,62																												
	16	11,2					CODE 150	2008-150.30221 (+) 34005																2008-150.30221	2008-150.30222															
	16	11,2					CODE 151	2008-151.30221 (+) 34005																2008-151.30221	2008-151.30222															
	4	4					FLOW l/h 20°	2644	3738	4575	5287	5640	6346	7385	7457	7931	8354	8674	9051	9425																				
20	EN 1092-1	ASME B16.5			12,5	40	BUOY	E. Ø90	E. Ø110	P. Ø150x60	E. Ø150																													
	105	100					L	450	469	509	507																													
	75	69,9					H	240	255	250	282																													
	14	15,9					WEIGHT IN kgs.	1,04/2,04	1,12/2,12	1,27/2,27	1,32/2,32																													
	18	12,7					CODE 150	2008-150.3342																																
	18	12,7					CODE 151	2008-151.3342																																
	4	4					FLOW l/h 20°	4522	6395	7823	9044	10090	11033	11937	12797	13566	14289	14850																						
25	EN 1092-1	ASME B16.5			16	45	BUOY	E. Ø110	P. Ø250x80	E. Ø150	E. Ø150	P. Ø 250x95																												
	115	110					L	475	507	565	510	615	732																											
	85	79,4					H	257	250	275	285	327	350																											
	14	15,9					WEIGHT IN kgs.	1,20/2,54	1,34/2,68	1,48/2,82	1,38/2,72	1,25/2,59	1,77/3,11																											
	18	14,3					CODE 150	2008-150.31021																2008-150.31022																
	18	14,3					CODE 151	2008-151.31021																2008-151.31022																
	4	4					FLOW l/h 20°	6480	9270	11352	13148	14667	16044	17363	18369	19398	20510																							
32	EN 1092-1	ASME B16.5			21	50	BUOY	E. Ø150	P. Ø250x95	E. Ø200																														
	140	115					L	637	737	680																														
	100	88,9					H	317	327	355																														
	18	15,9					WEIGHT IN kgs.	1,82/3,82	2,21/4,21	1,95/3,95																														
	18	15,9					CODE 150	2008-150.31421																2008-150.31422																
	18	15,9					CODE 151	2008-151.31421																2008-151.31422																
	4	4					FLOW l/h 20°	11508	16226	19925	23016	25663	28080	30382	32204	34136	36040																							
40	EN 1092-1	ASME B16.5			24	57	BUOY	P. Ø250x95	E. Ø200	P. Ø300x115	P. Ø350x130	E. Ø300																												
	150	125					L	660	610	710	760 ó 710																													
	110	98,4					H	285	315	310	330 ó 385																													
	18	15,9					WEIGHT IN kgs.	2,60/4,8	2,57/4,77	3,11/5,31	3,25 or 3,30/5,45 ó 5,50																													
	18	17,5					CODE 150	2008-150.3121																2008-150.3122																
	18	17,5					CODE 151	2008-151.3121																2008-151.3122																
	4	4					FLOW l/h 20°	14548	20512	25167	29070	32442	35362	38544	42216	46089	50200																							
50	EN 1092-1	ASME B16.5			29	60	BUOY	E. Ø200	P. Ø300x115	P. Ø350x130	E. Ø300																													
	165	150					L	677	777	827	777																													
	125	120,7					H	410	417	440	485																													
	18	19,1					WEIGHT IN kgs.	3,86/6,54	4,39/7,07	4,81/7,49	4,87/7,55																													
	18	19,1					CODE 150	2008-150.3202																																
	18	19,1					CODE 151	2008-151.3202																																
	4	4					FLOW l/h 20°	22136	31648	38296	44273	49364	54010	58439	63114	68030	72792																							
65	EN 1092-1	ASME B16.5			40	79	BUOY	E. Ø200	P. Ø300x115	P. Ø350x130 ó E. Ø300																														
	185	180					L	704	804	845 or 804																														
	145	139,7					H	420	427	450 or 490																														
	18	19,1					WEIGHT IN kgs.	6,52/9,72	7,30/10,5	7,72 or 7,50/10,92 or 10,70																														
	18	19,1					CODE 150	2008-150.3222																																
	18	22,3					CODE 151	2008-151.3222																																

IMPORTANT

- C. - Cylindrical buoy.
- E. - Spherical buoy.
- P. - Flat buoy.
- Use the relevant code for the buoy, according to brochure
- Model 152.
- Buoys suitable for higher pressure are also suitable for use at lower pressure.
- **CODE 150** ANSI 150# add 1 to code.
- **CODE 151** NPT add 1 to code.

