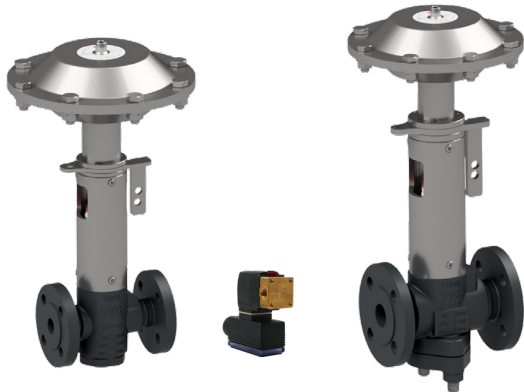


Bleeding for steam boilers

**Blowdown valve for automatic bleeding dirt and sludge
For steam boilers**



660-A

MP-2

660-A

Mod. 660-A EN ASME/ANSI

Connection: Flange x Flange
DN: 20 to 50
Material:  Cast steel. PN-40
Seal:  Metal

Programmable control for automatic bleeding of dirt and sludge MP-2

Connection: Air inlet 1/8"
Control and discharge tube Ø6/4 mm.
Voltage: 220 V.A.C. ±10% 50/60 Hz.

The water in the boiler contains salts, which are built up by the continuous evaporation. If these salts are not eliminated, bubbles and foam are formed when the density of the water increased. To prevent these lime deposits forming, the water supply must be suitably treated, with the result that certain salts are changed producing impurities which form sludge and encrusted deposits which then adhere to the sides or the bottom of the boiler and to the combustion tubes, together with particles of dirt, remains of electrodes, carbonic acid, oxygen, etc. This leads to a high level of rust which may:

- Destroy the metal plate of the boiler, causing high maintenance costs.
- Produce thermic voltages, causing cracks in the metal plate and soldering cord.
- Notably slow down thermic transmission, meaning an unnecessary and excessive consumption of fuel.



Depending on version



**Continuous desalting valve
For steam boilers**



Mod. 560 EN ASME/ANSI

Connection: Flange x Flange
DN: 15 to 25
Material:  Cast steel. PN-40
Seal:  Metal

The continuous desalting valve is used to empty an adjustable quantity of water from the steam boiler, removing:

- Organic matter and mineral salts in solution. (Calcium, magnesium, sodium, potassium, iron, bicarbonate ions, chlorides, sulphates, nitrates, ...etc.).
- Solid materials in suspension. (Sand, clay, metal residues, rock residues, organic matter, ...etc.).

The continuous bleeding process prevents:

- Damage caused by erosion and perforation, entailing the following high costs:
 - Direct: Replacement or repair of materials.
 - Indirect: Stoppages, product losses, ...etc.
- Danger of boiler explosion.

And reduces:

- Incrustations and sediments caused by precipitation of calcium and magnesium salts, which obstruct thermic transmission and which cause unnecessary and excessive fuel consumption.
- Foam formation caused by excessive saline concentration, with its corresponding drag.

Depending on version

